

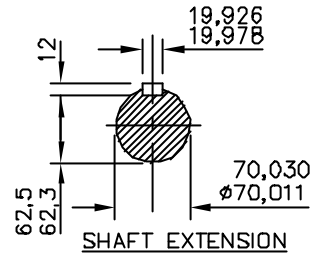
CG 33-2002  
 FIRST W.O.

ISSUE  
 A

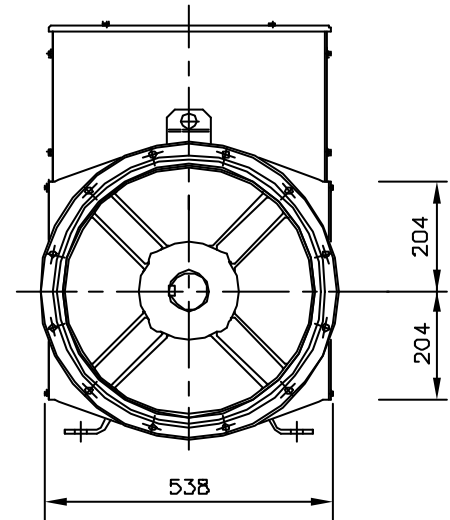
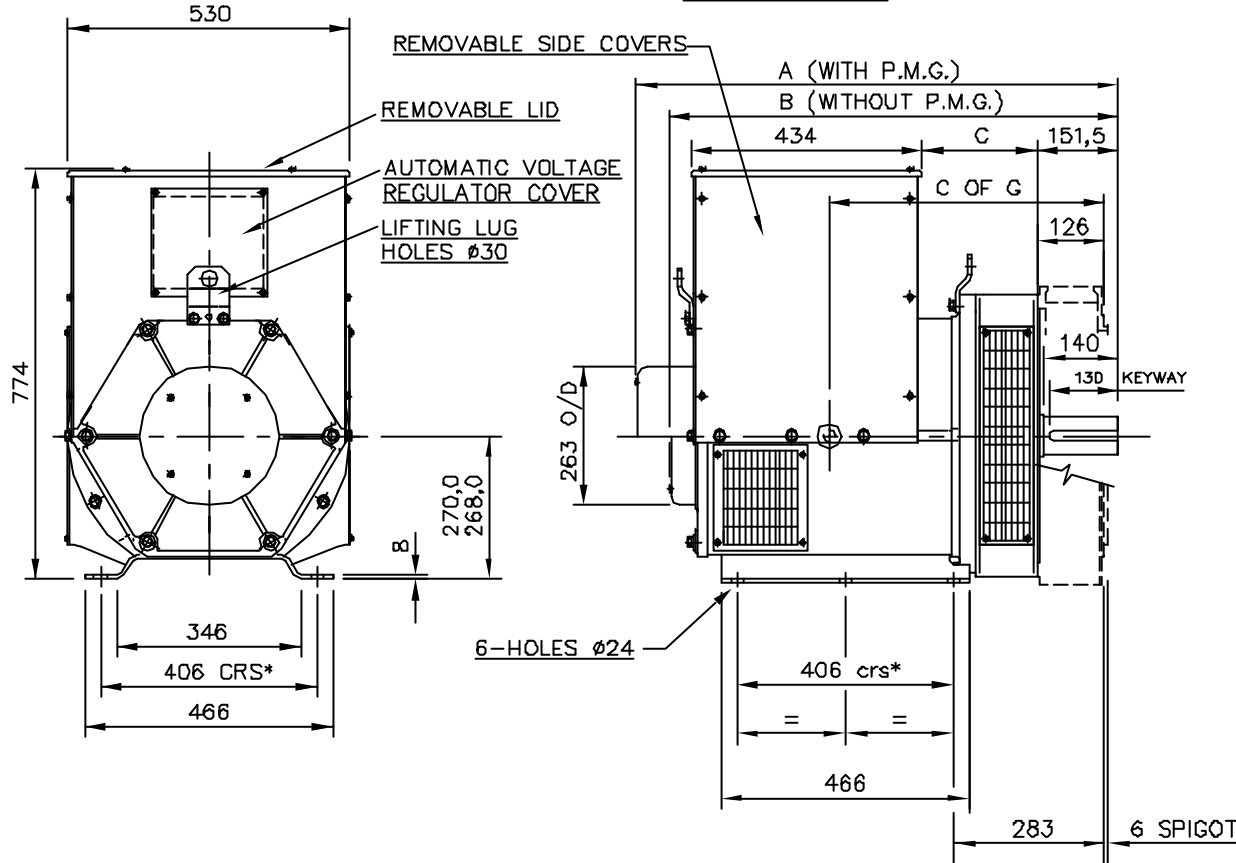
IF IN DOUBT-ASK  
 DO NOT SCALE

DIMENSIONS			
FRAME	A	B	C
274C/D/V	905	842	215
274E/F	1020	957	330
274G	1070	1007	380
274H	1110	1047	420

CORE	C OF G	NETT WT.kg
C	420	394
D	430	418
V	437	438
E	445	481
F	470	519
G	490	571
H	510	617



NOTE: -  
 WEIGHTS DO NOT INCLUDE SAE ADAPTOR FLANGES



\* TOLERANCE ON CRS IS AS PER IS 2102 ( PART 1) 1993-MEDIUM CLASS.

CERTIFIED PRINT (ONLY IF SIGNED)		UC274-C/D/E/F/G/H/V 2-BRG ALTERNATOR STANDARD ADAPTOR UNIVERSAL FEET	SCALE	FIRST W.O.
BY			1:10	
DATE				
DRAWN	AS 29/10/0	NEWAGE INTERNATIONAL Ltd STAMFORD, ENGLAND	CG 33-2002	ISSUE
CH'D			SHEET 01 OF 01	A
APP'D				

MOD.	ISS.	DRN.	DATE	ALTERATION
	A	AS	28/10/01	ALTERATION