

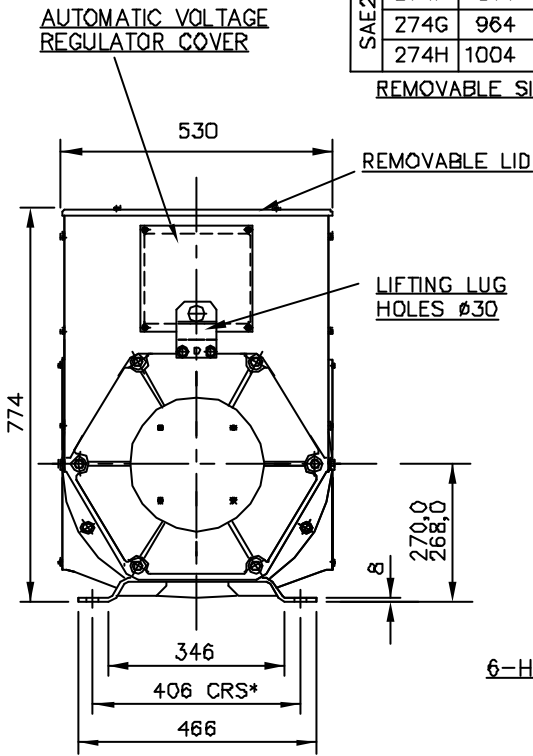
CG 33-2001 ISSUE B

FRAME	DIMENSIONS					NETT WT (Kg)
	A	B	C	E	C of G	
274C	813,3	750,3	274,3	554	365	399
274D	813,3	750,3	274,3	554	375	423
274V	813,3	750,3	274,3	554	382	443
274E	928,3	865,3	389,3	554	390	490
274F	928,3	865,3	389,3	554	415	528
274G	978,3	915,3	439,3	554	435	580
274H	1018,3	955,3	479,3	554	455	626
274C	799	736	260	544	353	398
274D	799	736	260	544	363	422
274V	799	736	260	544	370	442
274E	914	851	375	544	378	489
274F	914	851	375	544	403	527
274G	964	901	425	544	423	579
274H	1004	941	465	544	443	625

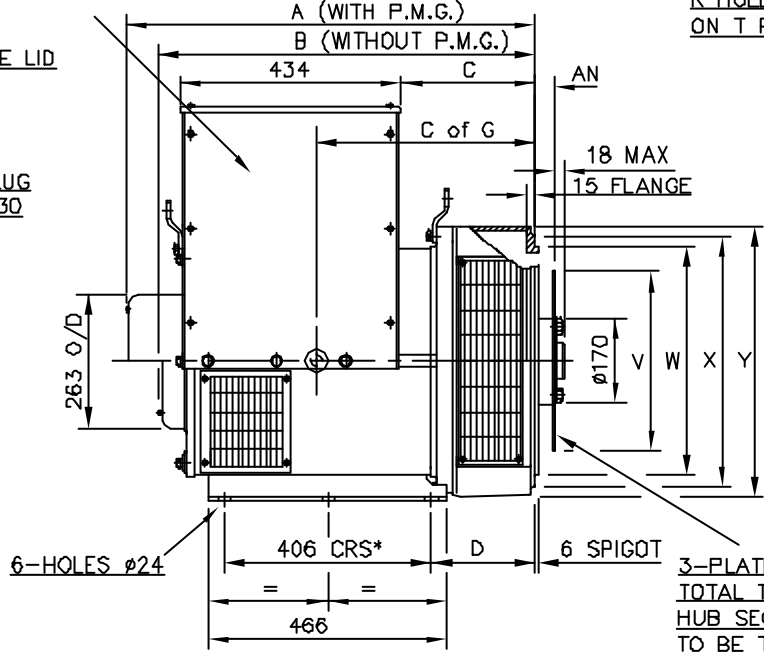
S.A.E No.	FLANGE ADAPTORS						
	D	R	S	T	W	X	Y
1	216,3	12	12,7	530,2	511,1	553	580
2	202	12	11	466,7	447,6	490	530
3	202	12	11	428,6	409,5	451	530

S.A.E No.	DISC COUPLINGS				
	AN	AR	AS	AT	V
10	53,98	8	11	295,3	314,2
11,5	39,68	8	11	333,3	352,3
14	25,40	8	13,5	438,2	466,6

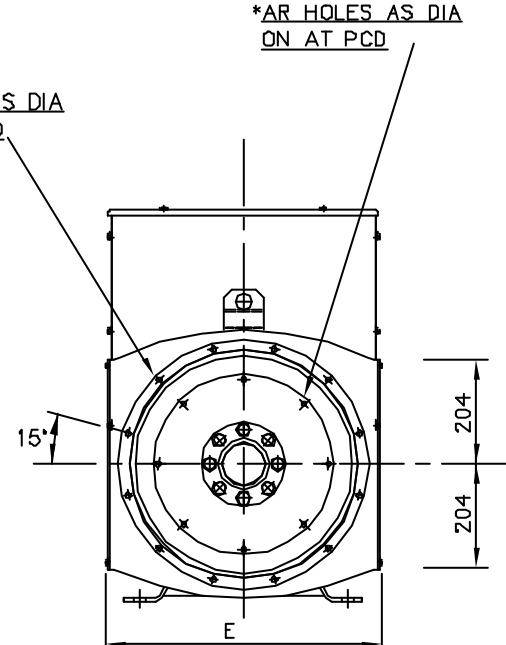
FIRST W.O.  
IF IN DOUBT-ASK  
DO NOT SCALE



REMOVABLE SIDE COVERS



R HOLES S DIA ON T PCD



\* TOLERANCE ON CRS IS AS PER IS 2102 ( PART 1 ) 1993-MEDIUM CLASS.

CERTIFIED PRINT  
(ONLY IF SIGNED)  
BY  
DATE  
DRAWN JES 29/1/91  
CH'D  
APP'D

UC274-C/D/E/F/G/H/V  
ALTERNATOR  
SINGLE BEARING MACHINE  
NEWAGE INTERNATIONAL Ltd  
STAMFORD, ENGLAND

SCALE 1:10  
FIRST W.O.  
CG 33-2001 ISSUE B

MOD.	ISSUE	DRN	DATE	ALTERATION
4/0811	A	G.M	20/6/90	CORRECTION OF DIMENSIONS OVER SCREEN FIXING SCREWS SEE REF "E"
	B	JES	27/01/91	TOLERANCE ON CRS ADDED, FLANGE DETAILS ADDED