

CG 23-2002
 FIRST W.O.

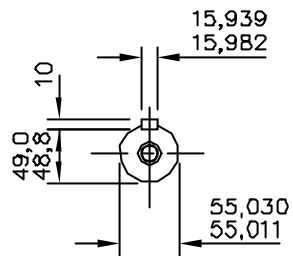
ISSUE
 A

IF IN DOUBT-ASK
 DO NOT SCALE

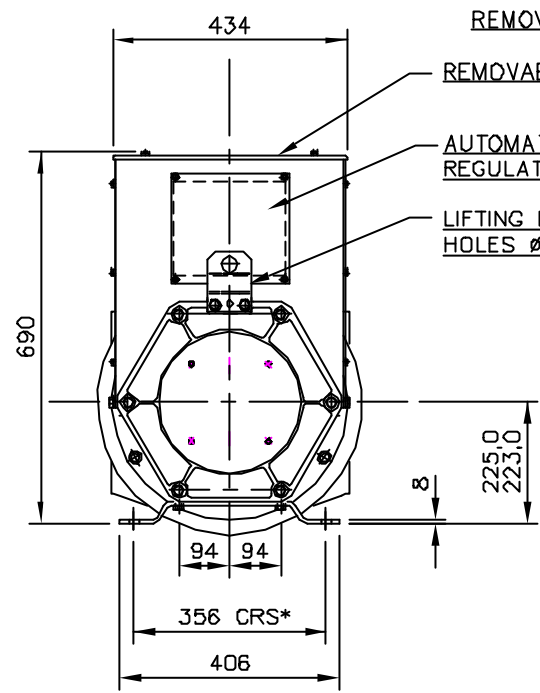
DIMENSIONS			
FRAME	A	B	C
224C/D	792	729	170
224E/F	882	819	260
224G	927	864	305

CORE	C of G	NETT WT kg
C	368	260
D	378	273
E	393	310
F	403	330
G	418	378

NOTE: -
 WEIGHTS DO NOT INCLUDE SAE ADAPTOR FLANGES



SHAFT EXTENSION

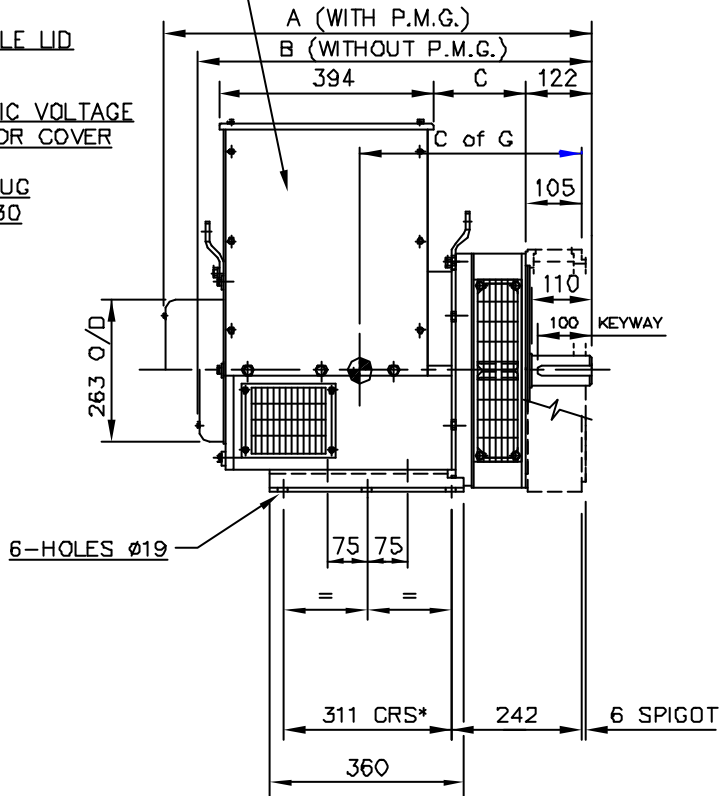


REMOVABLE SIDE COVERS

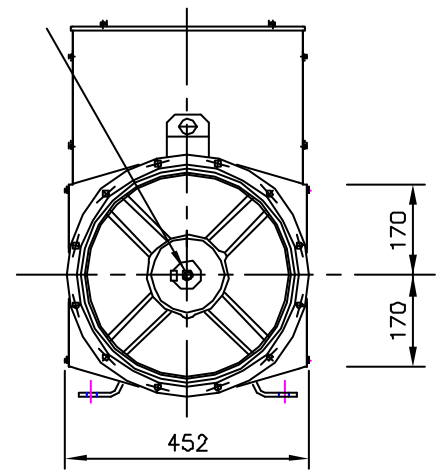
REMOVABLE LID

AUTOMATIC VOLTAGE
 REGULATOR COVER

LIFTING LUG
 HOLES Ø30



1-HOLE TAPPED
 M16 x 2 x 32 DEEP



* TOLERANCE ON CRS IS AS PER IS 2102 (PART 1) 1993-MEDIUM CLASS.

CERTIFIED PRINT (ONLY IF SIGNED)			UC224-C/D/E/F/G 2-BRG ALTERNATOR - IP23 STANDARD ADAPTORS UNIVERSAL FEET		SCALE 1:10	FIRST W.O.
BY						
DATE						
DRAWN	AS	28/10/01	NEWAGE INTERNATIONAL Ltd		CG 23-2002	
CH'D			STAMFORD, ENGLAND		SHEET 01 OF 01	
APP'D					ISSUE A	

MOD.	ISS.	DRN.	DATE	ALTERATION
	A	AS	28/10/01	ORIGINAL ISSUE