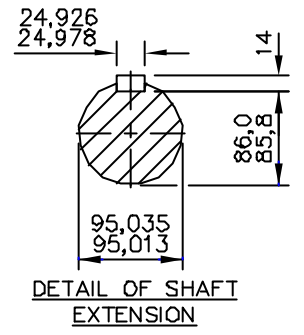
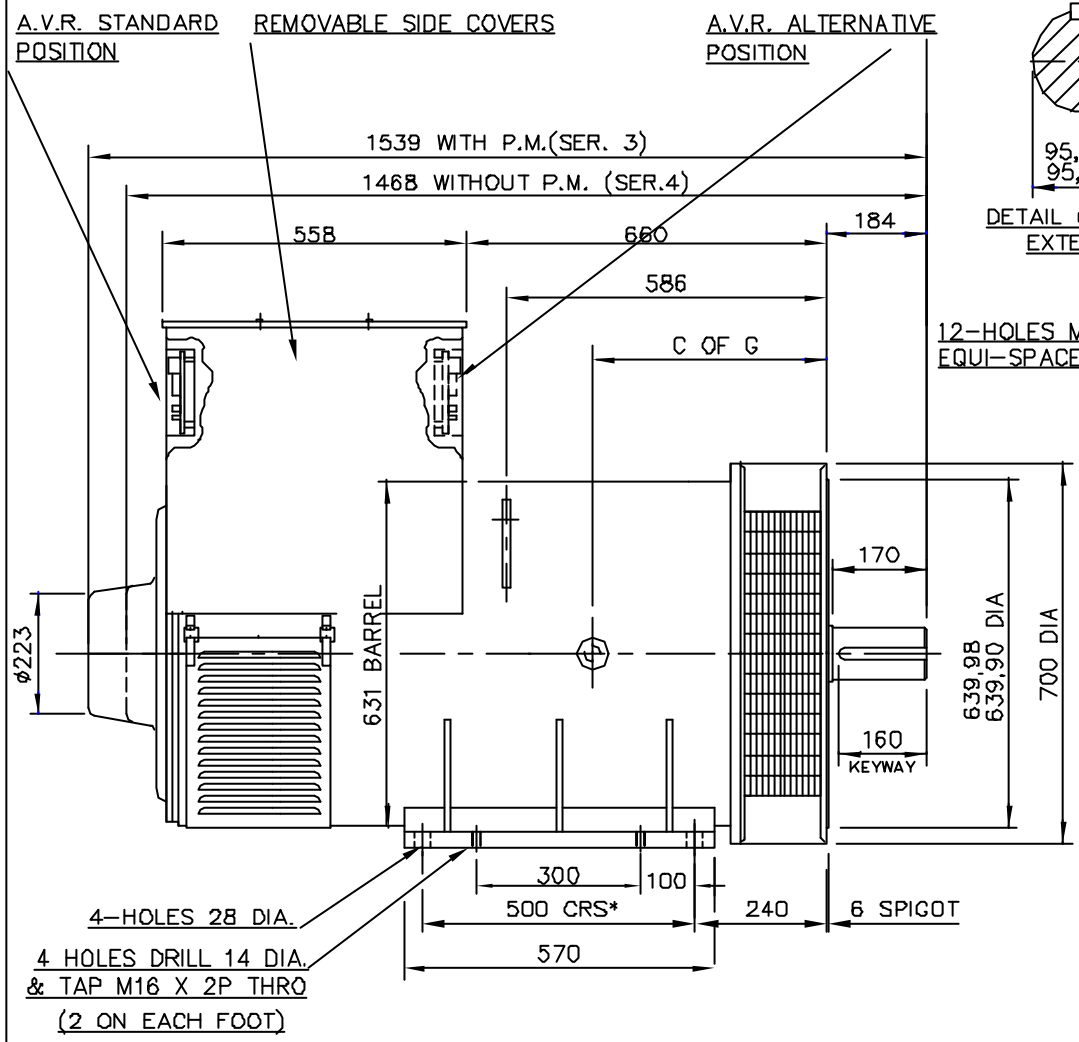


CG 52-4300
FIRST W.O.

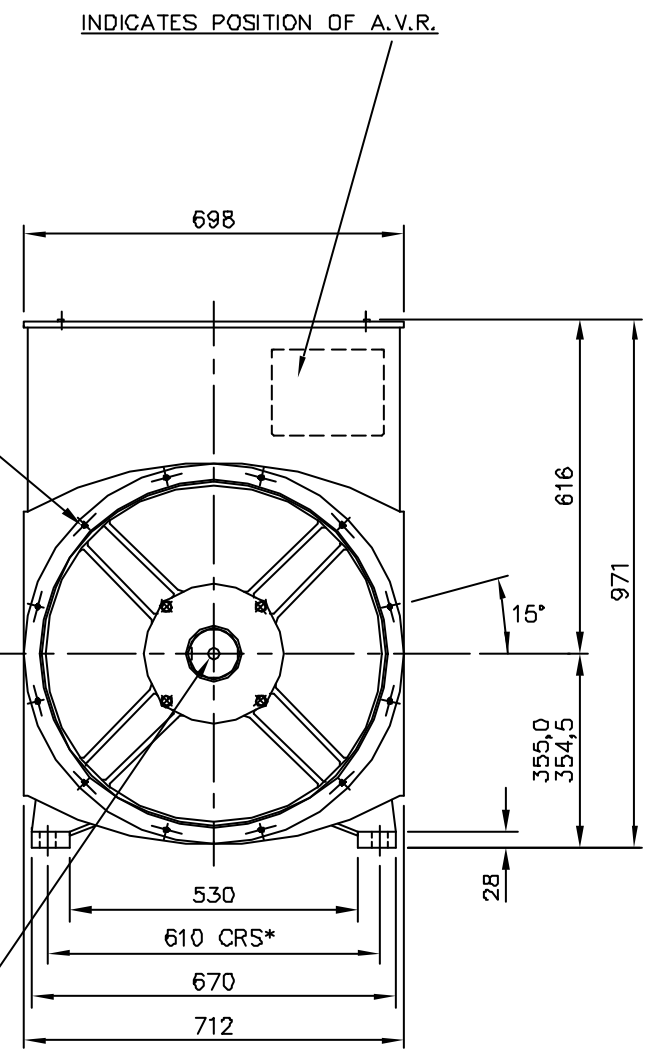
ISSUE
A

IF IN DOUBT-ASK
DO NOT SCALE

| | |
|------|--------|
| CORE | C OF G |
| F | 565 |



12-HOLES M10x1.5p
EQUI-SPACED ON 670 PCD



* TOLERANCE ON CRS IS AS PER IS 2102 (PART 1) 1993
-MEDIUM CLASS

NOTE: -
CUSTOMER MAY CUT CABLE ENTRY HOLES AS REQUIRED IN ANY OF THE FOUR
TERMINAL BOX SIDES SUBJECT TO POSITION OF AVR. TERMINALS. ETC.

CERTIFIED PRINT
(ONLY IF SIGNED)
BY
DATE
DRAWN AS 6:1:96
CH'D
APP'D

HC5-2F STANDARD
ALTERNATOR
NEWAGE INTERNATIONAL Ltd
STAMFORD ENGLAND

| | |
|---|------------|
| SCALE | FIRST W.O. |
| 1:10 | |
| UNIT OF MEASUREMENT MILLIMETRES (mm) | |
| CG 52-4300 | ISSUE A |

| | | | | |
|----------|------|------|--------|----------------|
| 4/0400/7 | C | A5 | 4:9:96 | ORIGINAL ISSUE |
| MOD. | ISS. | DRN. | DATE | ALTERATION |