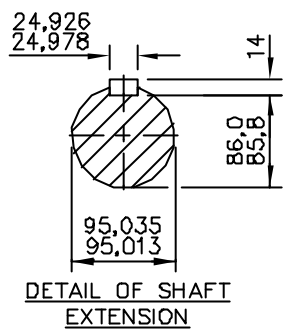
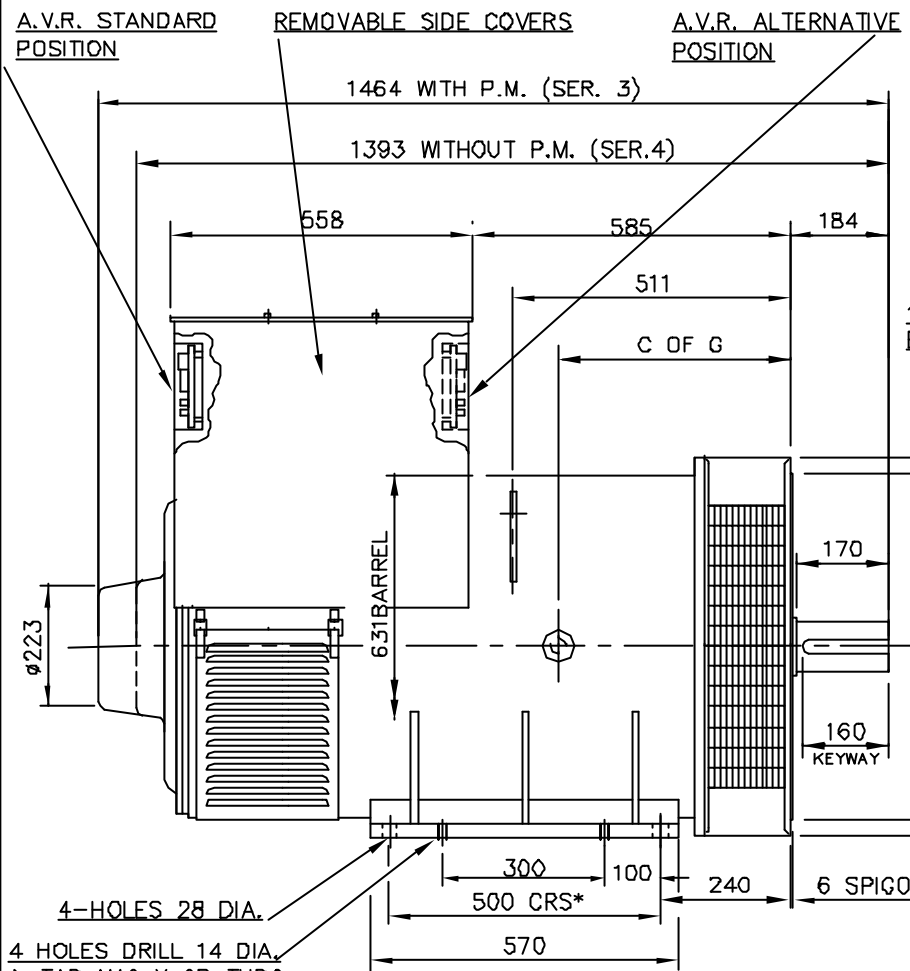


CG 52-4689
FIRST W.O.

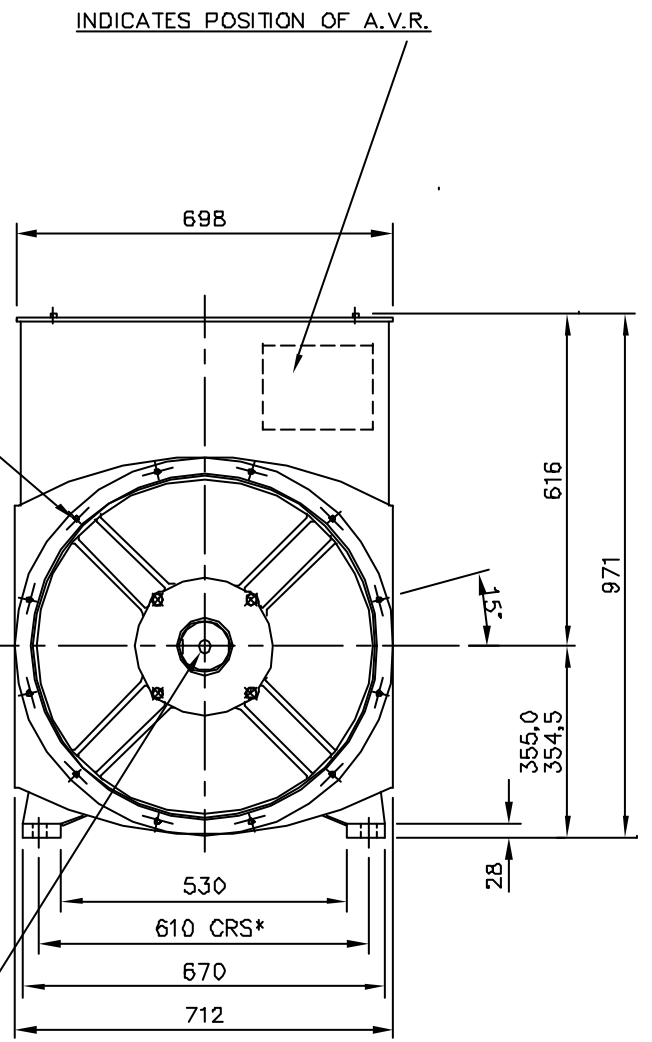
ISSUE
A

IF IN DOUBT-ASK
DO NOT SCALE

CORE	C OF G
C	498
D	518
E	538



12-HOLES M10x1.5p
EQUI-SPACED ON 670 PCD.



* TOLERANCE ON CRS IS AS PER IS 2102 (PART 1) 1993
- MEDIUM CLASS.

NOTE:-
CUSTOMER MAY CUT CABLE ENTRY HOLES AS REQUIRED IN ANY OF THE FOUR
TERMINAL BOX SIDES SUBJECT TO POSITION OF AVR, TERMINALS, ETC.

CERTIFIED PRINT
(ONLY IF SIGNED)
BY
DATE
DRAWN AS 6:1:96
CH'D
APP'D

HC5-2CDE STANDARD
ALTERNATOR
NEWAGE INTERNATIONAL Ltd
STAMFORD ENGLAND

SCALE
1:10

FIRST W.O.
UNIT OF MEASUREMENT
MILLIMETRES (mm)

MOD.	ISS.	DRN.	DATE	ALTERATION
4/D489/7	C	AS	4:9:96	ORIGINAL ISSUE

CG 52-4689
ISSUE
A