

D41 A 4536

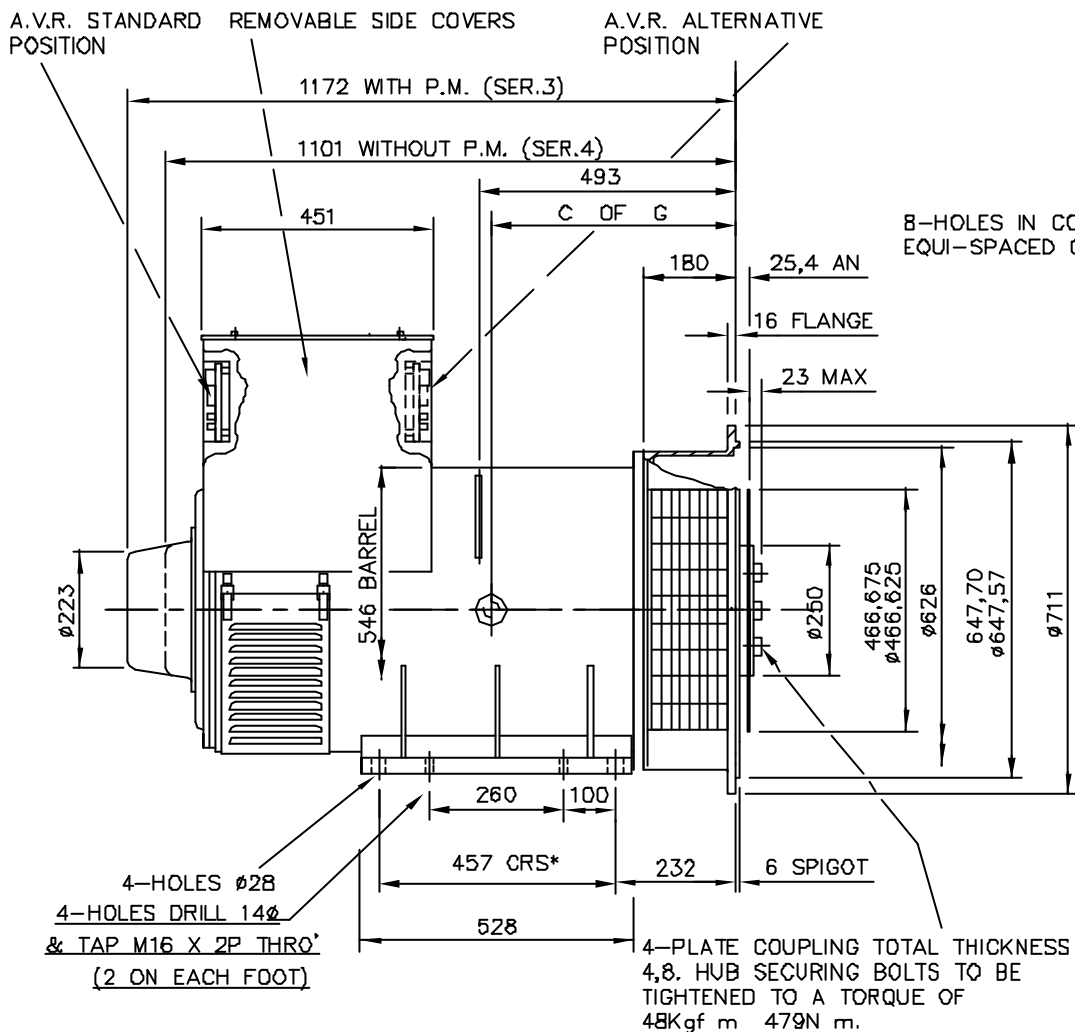
ISSUE
A

IF IN DOUBT-ASK

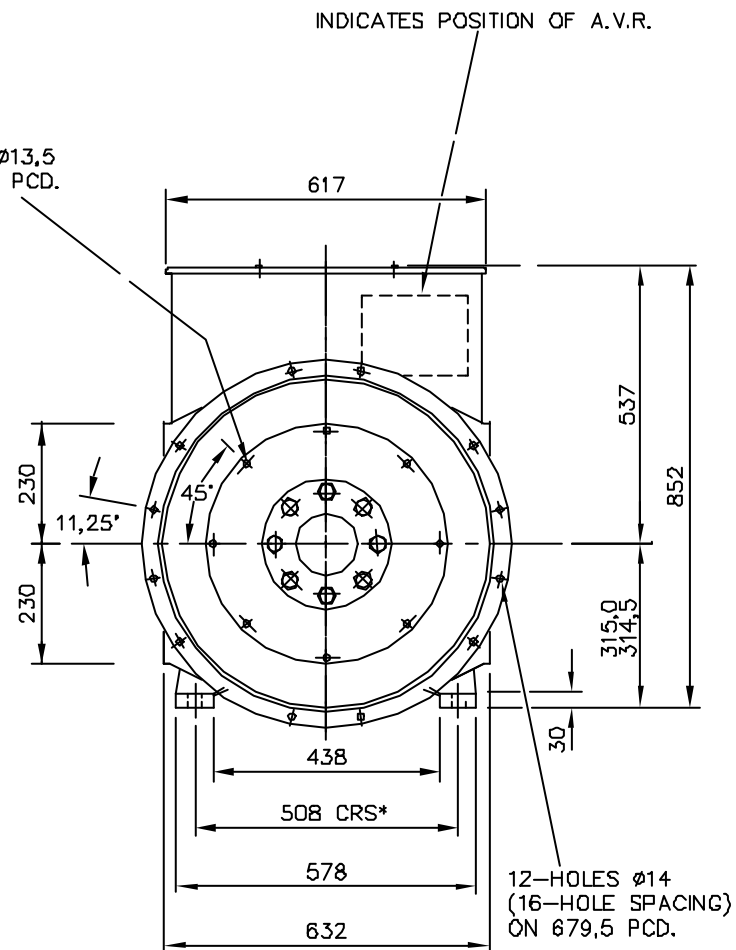
FIRST W.O.

DO NOT SCALE

CORE	C OF G
C	463
D	483
E	504



8-HOLES IN COUPLING $\phi 13,5$ EQUI-SPACED ON 438,1 PCD.



NOTE:-
CUSTOMER MAY CUT CABLE ENTRY HOLES AS REQUIRED IN ANY OF THE FOUR TERMINAL BOX SIDES SUBJECT TO POSITION OF AVR, TERMINALS, ETC.

CERTIFIED PRINT
(ONLY IF SIGNED)
BY
DATE
DRAWN SKS 10.04.02
CH'D
APP'D

HQ4-1CDE ALTERNATOR
ADAPTOR - SAE0
COUPLING - SAE14
STANDARD T/BOX

SCALE

1:10

FIRST W.O.

UNIT OF MEASUREMENT
MILLIMETRES (mm)

	A	SKS	10.04.02	ORIGINAL ISSUE
MOD'N	ISSUE	DRAWN	DATE	ALTERATION

NEWAGE INTERNATIONAL Ltd
STAMFORD ENGLAND

D41 A 4536

ISSUE
A